



■ Features

- ✚ Eighteen 12VDC individually fused outputs
- ✚ Circuit Short protection
- ✚ Over-load protection
- ✚ AC power LED indicator
- ✚ Individual LED's for each output
- ✚ Power ON/OFF switch
- ✚ Unit maintains camera synchronization
- ✚ Easy installation saves time and eliminates costly labor
- ✚ 100% full load burn-in test
- ✚ Spare fuses included
- ✚ 2 years warranty

■ Specification

Input Voltage	AC90-264V
Input Voltage Frequency	50/60Hz
Output Specification	
Output Voltage	12 VDC+10%
Total Output Current	12A(500mA/output,18channels for 18 sets security cameras)
Total Outputs	145W
Fuse Type	Glass Fuse
Fuse Rating	0.5 Amps / 250VAC
Protection	
General Protection	each output has individual fuse and LED indicator, when problem occurs,only affect the individual output, other outputs still working
Circuit Short Protection	when short condition occurs, individual fuse will open the circuit,when condition removed, replacing another new fuse will back to close.
Overload protection	125%-165% hiccup mode,auto-recovery
Over-voltage protection	115%~135%
General Specifications	
Working temperature and humidity	-10℃~+60℃ (Refer to output derating curve) , 20%~90%RH
Store temperature and humidity	-20℃~+85℃,10%~95%RH
Application	
CCTV	Camera, PTZ, IR Illuminators, Video Process Equipment, etc.

■ Shape and installation dimension

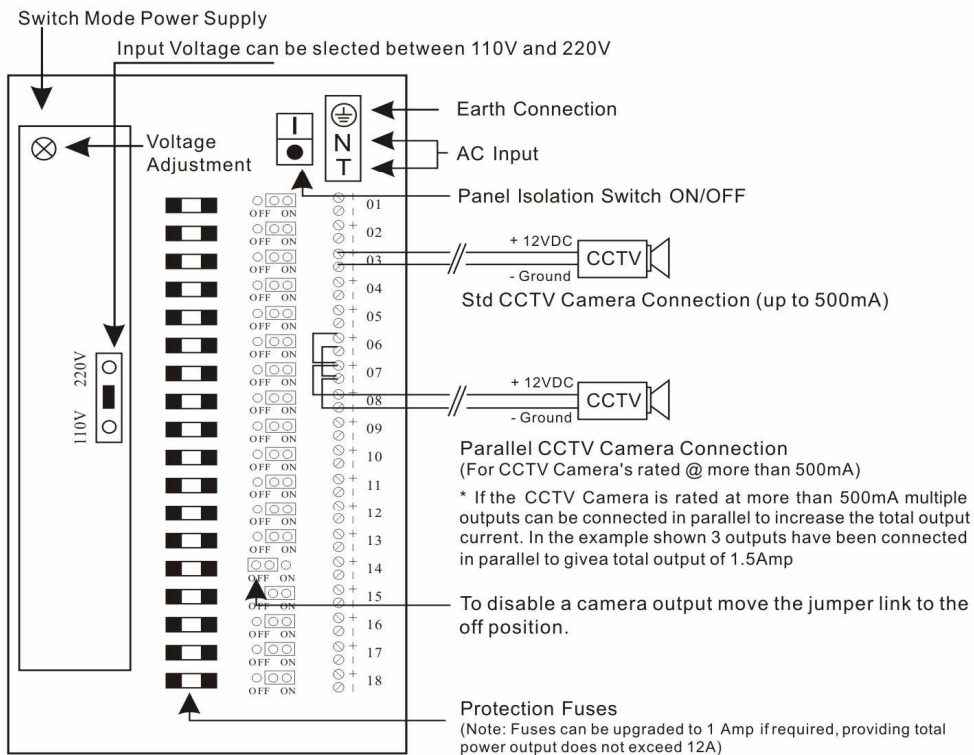


■ Manual

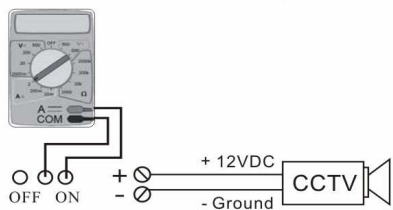
12VDC 18 OUTPUT SWITCH MODE CCTV POWER SUPPLY

Model: MPS-145-18A

Connection Diagram:



Test & Measurement



To determine the current(A) draw of a camera remove the jumper link, set your meter to $\overline{\text{A}}$ / Amps DC, and with the camera connected measure the current across the ON and COMMON terminals.

Specifications:

Input Voltage: AC100~120V
AC220~240V
Output Current: 18 x 500mA fused outlets (12A Max)
Output Power: 145W
Dimensions(mm): 320(L) x 210(W) x 65(H)

* For Indoor Use Only

Multiple View, More attention!